



NAPCO

NAPCO SECURITY SYSTEMS, INC.
533 BAYVIEW AVENUE
AMITYVILLE, NEW YORK 11701

PHONE (516) 835-5400
CANDO (800) 274-4447
FAX 516-277-9884

TOLL FREE
SALES, REPAIRS AND TECHNICAL
SERVICE

IN NEW YORK
SALES, REPAIRS AND TECHNICAL
SERVICE

OPERATING AND INSTALLATION INSTRUCTIONS

RP-1004 UNIVERSAL DIGITAL KEYPAD

(c) NAPCO 1984

WI300D 12/88

GENERAL DESCRIPTION

The Napco RP-1004 Universal Digital Keypad Station is intended for use with control centers that do not have built-in keypad decoding.

Each keypad station provides Mini-Sounder warning signal (generally used for entry) and three LED indicators. The red ARMED LED lights when the control center is armed, and goes off when it is disarmed. The green STATUS LED indicates the condition of the monitored protective loops. It lights and goes off in the manner specified for the control center used. If the control center is equipped with alarm memory, the red MEMORY LED goes on when an alarm occurs, and remains on after the control center has been disarmed as a reminder in case a service call is required before the system can be rearmed. When all circuits are operating normally, the MEMORY LED will go out when the control center is reset.

An easily accessible wire and socket assembly allow the user to select his own code of four different digits 1-9 and the letter "S" (there is no zero). Pressing the four buttons on the keypad in their proper sequence (corresponding to the 4-digit code) arms and disarms the control center. (Each keypad may be wired for a different code, but only the code wired for that keypad may be used to arm or disarm the panel.)

Pushing the "*" and "#" buttons simultaneously signals a Panic alert when used with a control center with panic circuitry.

SPECIFICATIONS

Current Drain @ 12V (when on)	
Red ARMED LED	12mA
Green STATUS LED	12mA
Red MEMORY LED	12mA
Mini-Sounder	12mA
Contact Ratings	
Panic	20mA @ 24Vdc
Key Relay	500mA @ 24Vdc
User Code	4 different digits 1 through 9 and S

OPERATION

ARMING

1. Green STATUS LED indicates that all protective circuits are good. If not, do not arm. Check zones(s).
2. Press the four code keys in proper sequence; the red ARMED LED will light.
3. Leave before the Mini-Sounder signals the end of exit delay and beginning of the entry-delay period.

DISARMING

1. The Mini-Sounder will sound until the end of the entry-delay period.
2. Press the four code keys in proper sequence; the red ARMED LED will go out (the system is now disarmed).
3. Check the red MEMORY LED. If it is on, an alarm had occurred.

WIRING

SELECTING THE CODE

The code is selected using the white leads and the socket holes numbered 1 through 4 on the back of the keypad circuit board. To select a 4-digit code, connect the white lead numbered with the first code digit to socket 1, the second digit to socket 2, etc. (Figure 1 shows code 2179 selected as an example.) Connect all remaining white leads in the socket holes labelled PARKING. The code may be changed at any time.

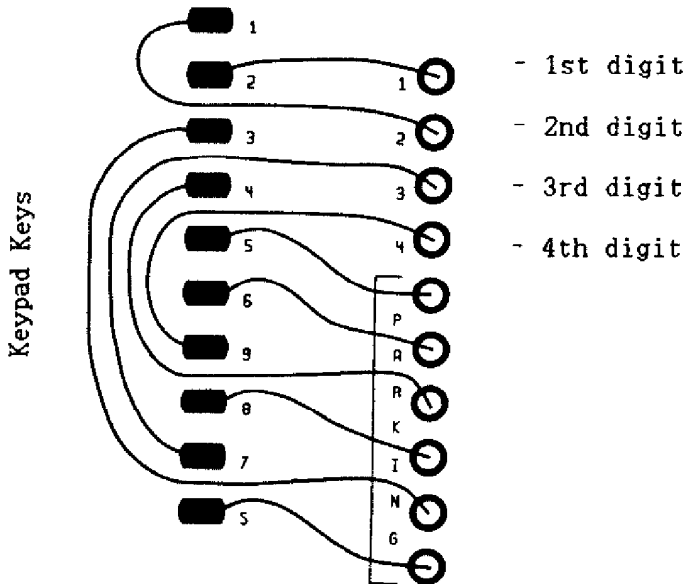


Fig. 1. Code Selection ("2179" shown.)

KEY RELAY OPERATION

Relay operation is selected with the red lead and the socket holes labelled A and B, on the back of the circuit board. Insert the red lead into socket A for maintained relay operation or into socket B for momentary. Many control centers require maintained keyswitch operation, which does not allow more than one keypad or keyswitch. The Napco BB-5, BB-5B and CCI-5 control centers require momentary relay operation, therefore the red lead must be connected to socket B for use with any of these control centers.

CONTROL CENTER

All remote stations should be wired in parallel. A run of up to 500 feet may be made using 22 gauge wire.

The RP-1004 keypad may be used with a Napco BB-5, BB-5B or CCI-5 (12-volt model) control center.

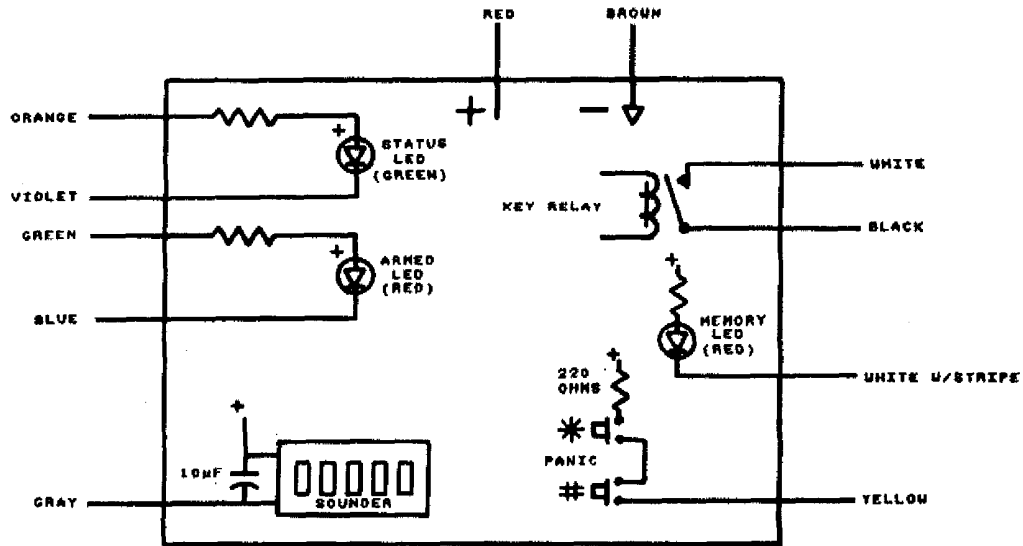
NOTE: When connecting an RP-1004 to a CCI-5, a Napco R-714 Regulator Module must also be used. Follow the instructions supplied with the R-714 to connect the regulator module to the control center.

Connections between the BB-5, BB-5B or CCI-5 control center terminals and RP-1004 are shown in Table 1 below. Up to 5 combined remote keypad and keyswitch stations may be used. Total current drain from all LEDs should not exceed 160mA.

RP-1004 LEAD	CONTROL CENTER TERMINAL		FUNCTION
	BB-5/BB-5B	CCI-5	
Yellow	7 or 18	6 or 7	Panic
Brown	5	24	Power Out (-)
Red	9	Fused lead from R714	Power Out (+)
Orange	9	Fused lead from R714	
Green	9	Fused lead from R714	
White	9	Fused lead from R714	
Black	10	12	Keyswitch
Blue	11	11	ARMED LED
Violet	12	10	STATUS LED
White w/Stripe	13	8	MEMORY LED
Gray	15	14	Sounder

Table 1

WIRING DIAGRAM



NAPCO LIMITED WARRANTY

NAPCO SECURITY SYSTEMS, INC. (NAPCO) warrants each of its products to be free from manufacturing defects in materials and workmanship for fifteen months following the date of manufacture. NAPCO will, within said period, at its option, repair or replace any product failing to operate correctly, without charge to the original purchaser or user.

This warranty shall not apply to any equipment or any part thereof which has been repaired by others, improperly installed, improperly used, abused, altered, damaged, subjected to accident, nuisance, flood, fire or acts of God, or on which any serial numbers have been altered, defaced or removed. Seller will not be responsible for any dismantling, reassembly or reinstallation charges.

In order to exercise the warranty, the product must be returned by the user or purchaser, shipping costs prepaid, and insured to NAPCO. After repair or replacement, NAPCO assumes the cost of returning products under warranty.

There are no warranties, express or implied which extend beyond the description of the face hereof. There is no express or implied warranty of merchantability or a warranty of fitness for a particular purpose. Additionally, this warranty is in lieu of all other obligations or liabilities on the part of NAPCO.

This warranty contains the entire warranty. It is the sole warranty and any prior agree-

ments or representations, whether oral or written, are either merged herein or are expressly cancelled. NAPCO neither assumes, nor authorizes any other person purporting to act on its behalf to modify, to change, nor to assume for it, any other warranty or liability concerning its products.

In no event shall NAPCO be liable for an amount in excess of NAPCO's original selling price of the product, for any commercial loss or damage, whether direct, indirect, incidental, consequential, or otherwise arising out of any failure of the product. Seller's warranty, as hereinabove set forth, shall not be enlarged, diminished or affected by and no obligation or liability shall arise or grow out of Seller's rendering of technical advice or service in connection with Buyer's order of the goods furnished hereunder.

NAPCO recommends that the entire system be completely tested weekly.

Warning: Despite frequent testing, and due to, but not limited to, any or all of the following; criminal tampering, electrical or communications disruption, it is possible for the system to fail to perform as expected. Therefore, the consumer is advised to take any and all precautions for his or her safety including, but not limited to, fleeing the premises and calling police or fire department, in order to mitigate the possibilities of harm and/or damage.

This warranty shall be construed in accordance with the laws of the State of New York.

